

General Description

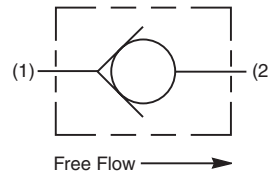
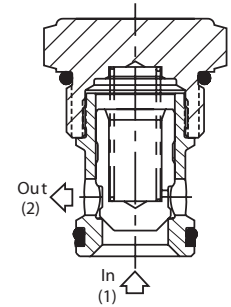
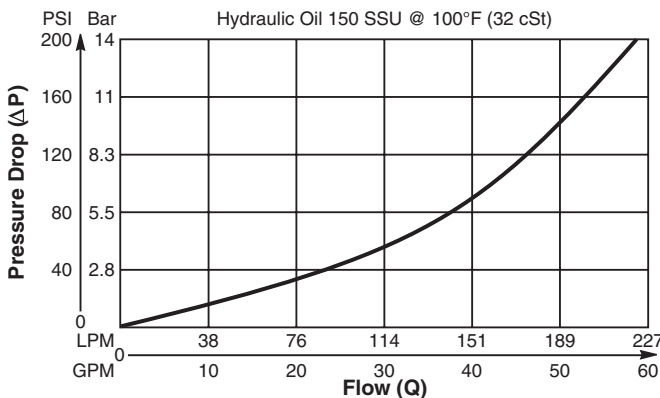
Cartridge Style Check Valve.
 For additional information see Technical Tips on pages CV2-CV3.

Features

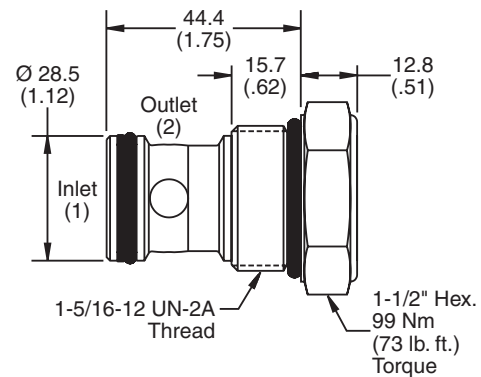
- Hardened, precision ground parts for durability
- Fully guided poppet for smooth operation
- All external parts zinc plated

Performance Curve

Pressure Drop vs. Flow (Through cartridge only)



Dimensions



Specifications

Rated Flow	225 LPM (60 GPM)
Maximum Inlet Pressure	350 Bar (5000 PSI)
Leakage at 150 SSU (32 cSt)	5 drops/min. (0.33 cc/min) at 350 Bar (5000 PSI)
Cartridge Material	All parts steel. All operating parts hardened steel.
Operating Temp. Range/Seals	-34°C to +121°C (Nitrile) (-30°F to +250°F) -26°C to +204°C (Fluorocarbon) (-15°F to +400°F)
Fluid Compatibility/Viscosity	Mineral-based or synthetic with lubricating properties at viscosities of 45 to 2000 SSU (6 to 420 cSt)
Filtration	ISO-4406 18/16/13, SAE Class 4
Approx. Weight	0.27 kg (0.60 lbs.)
Cavity	C16-2 (See BC Section for more details)

Ordering Information

CVH161P

16 Size Check Valve Cracking Pressure

Highlighted represents preferred options that offer the shortest lead times. Other options may be available, but at extended lead times.

Code	Cracking Pressure
Omit	0.3 Bar (5 PSI)
20	1.4 Bar (20 PSI)

Kit	Part Number
Nitrile Seal	SK16-2
Fluorocarbon Seal	SK16-2V

Code	Seals
Omit	Nitrile

Order Bodies Separately
 See section BC

B16 - **2** - **16T**

16 size 2-Way Cavity Port Size

Code	Porting / Body Material
16T	SAE-16 / Steel (5000 PSI)

CV	Check Valves
SH	Shuttle Valves
LM	Load/Motor Controls
FC	Flow Controls
PC	Pressure Controls
LE	Logic Elements
DC	Directional Controls
SV	Solenoid Valves
PV	Proportional Valves
CE	Coils & Electronics
BC	Bodies & Cavities
TD	Technical Data